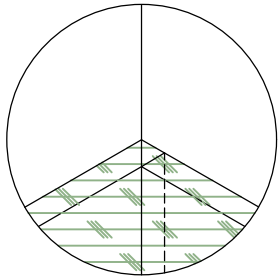
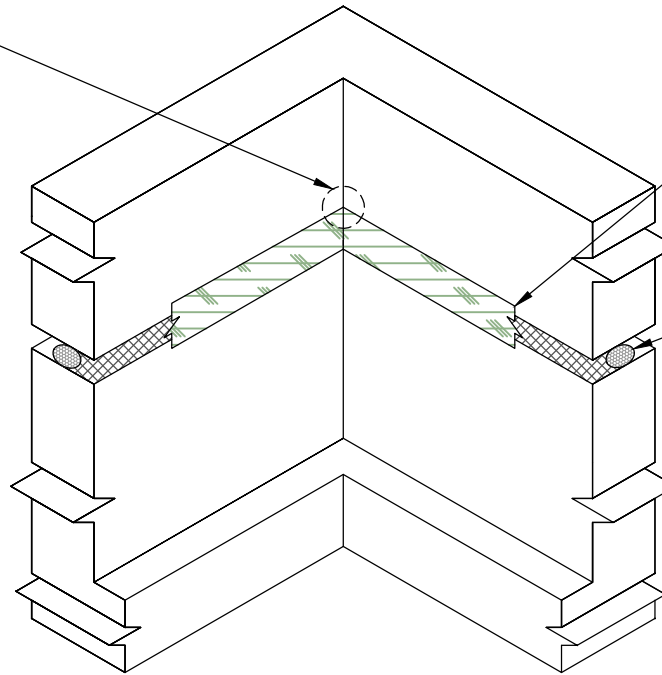


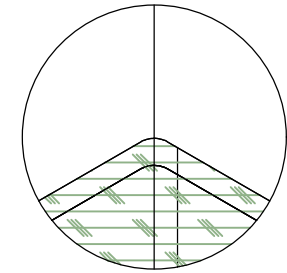
DETAIL A

SPECTREM SIMPLE SEAL

EXISTING FAILED SEALANT JOINT



DETAIL A
OPTION 1
BUTT JOINT



DETAIL A
OPTION 2
CONTINUOUS

INSIDE CORNER

1. OPTION 1 (INSIDE CORNER BUTT JOINT) IS PREFERRED OVER OPTION 2 (CONTINUOUS INSIDE CORNER).
2. EITHER OPTION REQUIRES USE OF SUFFICIENT AMOUNT OF ADHESIVE/SEALANT AT INSIDE CORNER TO ENSURE WATERTIGHT SEAL.
3. OPTION 1 SHOULD RECEIVE A BEAD OF WET SEALANT OVER THE INSIDE CORNER BUTT JOINT.

The architecture, engineering, and design of the project using the Tremco products are the responsibility of the project's design professional. All products and systems must comply with local building codes and standards. This detail is for general information and guidance only and Tremco specifically disclaims any liability for the use of this detail. The project design professional determines, in its sole discretion, whether this detail or a functionally equivalent detail is best suited for the project. This detail is subject to change without notice. Contact Tremco to ensure you have the most recent version.

Spectrem Simple Seal



Tremco Technical Support: 866-209-2404

Detail: Spectrem Simple Seal at Inside Corner

Drawn by: HDE

Checked by: AM

Scale: NTS

Date: 4/13/2022

File Name:

SSS-C-02



Construction Products Group

www.tremcocpg.com