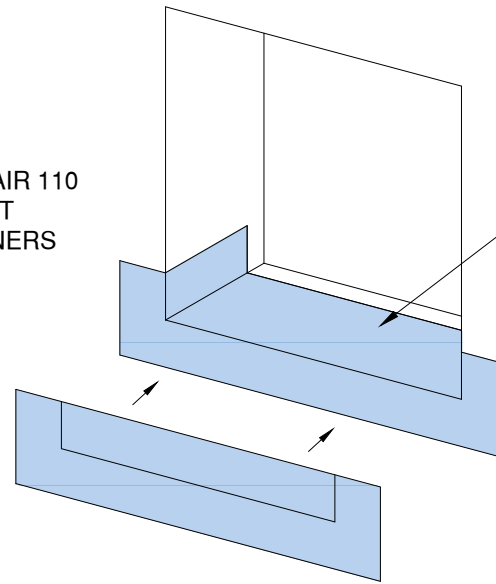
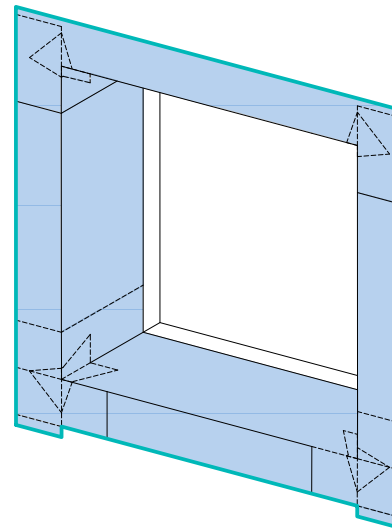
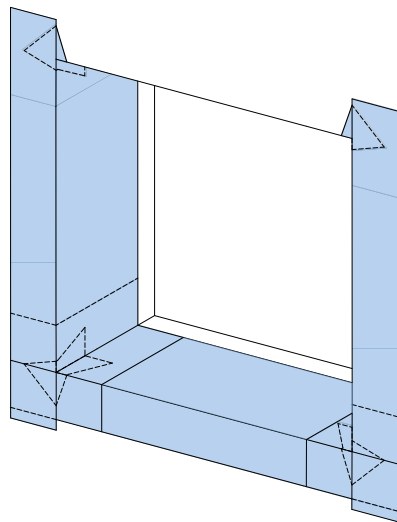


EXOAIR 110AT OR EXOAIR 110
BOW TIES INSTALLED AT
ROUGH OPENING CORNERS



APPLY EXOAIR 110AT OR EXOAIR 110
3" MIN INTO ROUGH OPENING AND
EXTERIOR FACE OF WALL AT SILLS,
JAMBS, AND HEADS



APPLY DYMONIC 100 AT EXOAIR 110AT
OR EXOAIR 110 EDGES

IF EXOAIR 110AT OR EXOAIR 110 IS
APPLIED OVER FLUID APPLIED
MEMBRANE, DYMONIC 100 IS ONLY
REQUIRED AT THE HEAD AND DOWN
EACH JAMB 6"

The architecture, engineering, and design of the project using the Tremco products are the responsibility of the project's design professional. All products and systems must comply with local building codes and standards. This detail is for general information and guidance only and Tremco specifically disclaims any liability for the use of this detail. The project design professional determines, in its sole discretion, whether this detail or a functionally equivalent detail is best suited for the project. This detail is subject to change without notice. Contact Tremco to ensure you have the most recent version.

NOTE: EXOAIR PRIMER MUST BE USED WITH EXOAIR 110

ExoAir 110AT/110



www.tremcosealants.com
Tremco Technical Support: 866-209-2404

Detail: Rough Opening Detailing

Drawn by: KAB

Checked by: CB

Scale: NTS

Date: 10/1/2021

File Name:

AVB-S-RO-01



Construction Products Group

Tremco Construction Products Group companies: Dryvit Systems, Inc.; Nudura Inc.; Prebuck LLC; Schul International Co., LLC d/b/a/ Willseal; Tremco Incorporated