

TREMPROOF® 260 BLINDSIDE WALL SYSTEM

Fluid-Applied, Below-Grade Waterproofing Membrane

Product Overview

TREMPROOF® 260 Waterproofing Membrane is a polymer-enhanced, single-component, fluid-applied, asphalt emulsion, below-grade waterproofing membrane.

TREMPROOF 260 is a cost-effective waterproofing solution for unsubmerged blindside wall applications. It can be co-sprayed to speed the curing process, which allows for fast-tracking construction and reducing the potential for washout in the face of inclement weather.



Features & Benefits

- Monolithic asphaltic membrane protects seams and seals penetrations, reducing the time required for detail work
- Exothermic reaction during concrete cure builds adhesion of the asphaltic membrane to the structure, creating a bonded waterproofing assembly, eliminating the potential for lateral water migration
- Extreme durability with exceptional elongation and crack-bridging characteristics
- Comprehensive on-site technical support and product knowledge expertise
- VOC-compliant



Information may vary by region. For specific information, please contact your local Tremco CSW representative. Dymonic®, ExoAir®, Tremco®, TREMDrain® and TREMPROOF® are registered trademarks of Tremco Incorporated. Use of the ® symbol indicates registration with the US Patent & Trademark Office and the Canadian Intellectual Property Office.



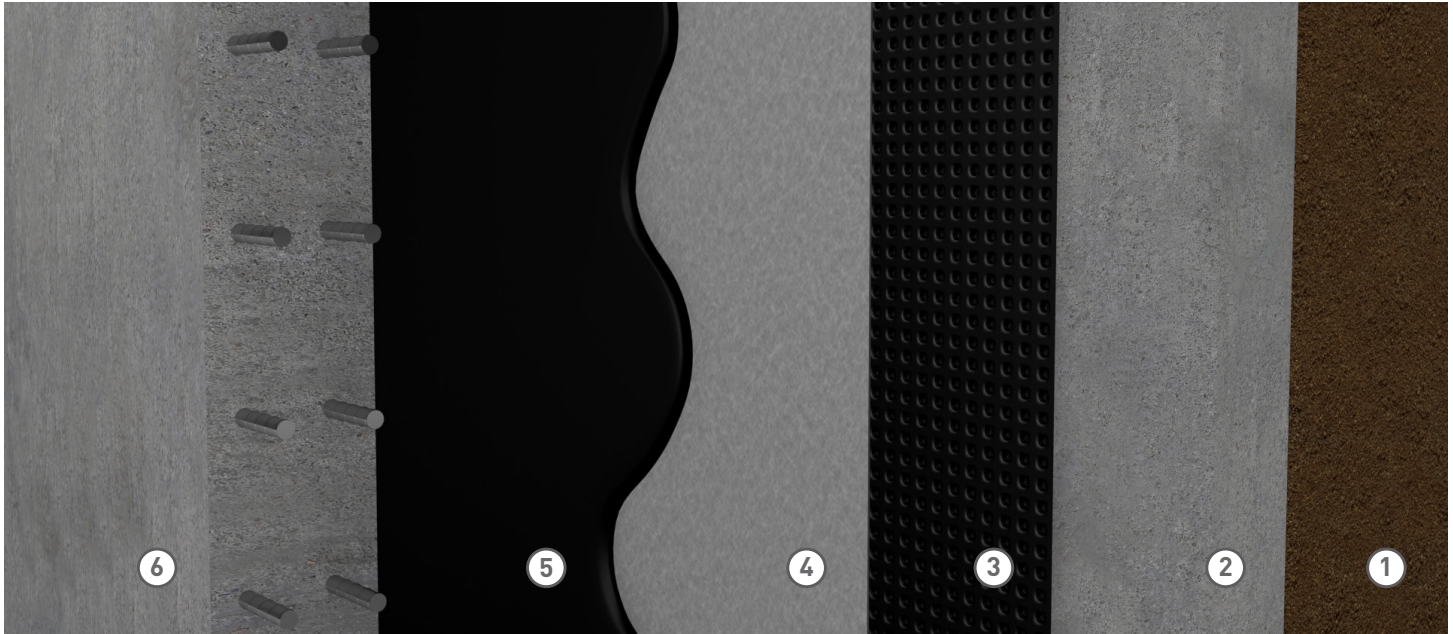
Blindside Walls (Cast-In Place and Shotcrete)

System Components

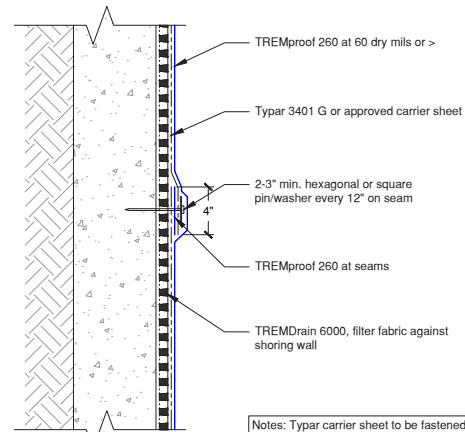
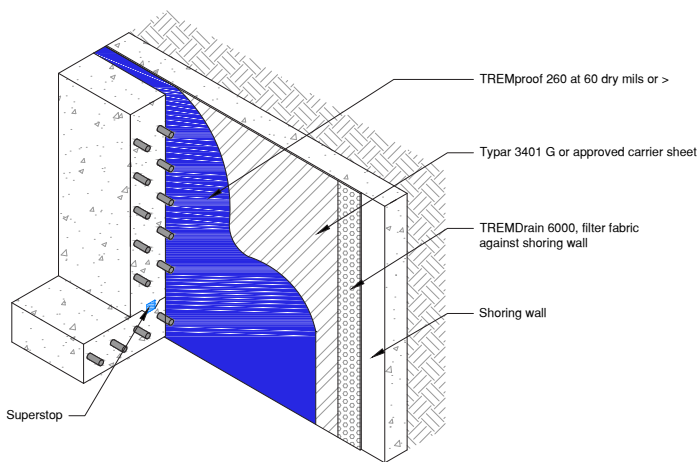
- | | |
|-------------------|----------------------------------|
| 1. Retained earth | 4. Tremco-Approved Carrier Sheet |
| 2. Lagging wall | 5. TREMproof 260 |
| 3. TREMDrain 6000 | 6. Shotcrete/concrete |

System Accessories (Not Shown)

- | | |
|---------------------------|-----------------------------|
| 1. Dymonic® 100 | 4. TREMDrain® Universal Tee |
| 2. ExoAir® 110AT | |
| 3. TREMDrain® Total Drain | |



System Details



Notes: Typar carrier sheet to be fastened, pin/washer, every 4-5 feet on a horizontal and vertical grid pattern, spacing dependent on site conditions.
Not intended for submerged or hydrostatic head conditions

Tremco Commercial Sealants & Waterproofing | 3735 Green Road | Beachwood, OH 44122 | US: 800.852.9068 | CAN: 800.363.3213 | tremcosealants.com

Tremco Construction Products Group (CPG) brings together Tremco Incorporated's Commercial Sealants & Waterproofing and Roofing & Building Maintenance operating divisions; Dryvit Systems, Inc.; Nudura Inc.; Willseal; Weatherproofing Technologies, Inc. and Weatherproofing Technologies Canada, Inc.



Tremco®, Dymonic®, ExoAir® and TREMDrain® are registered trademarks of Tremco Incorporated. Use of the ® symbol indicates registration with the US Patent & Trademark Office and the Canadian Intellectual Property Office.
0920/TP260BSS

tremcocpg.com