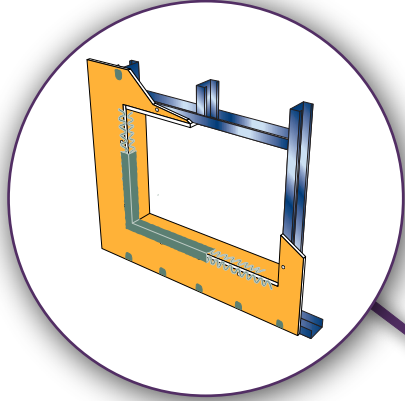
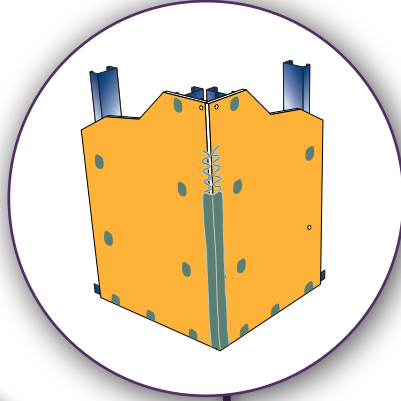


Securock® ExoAir® 430 System Complete Air/Water Barrier System

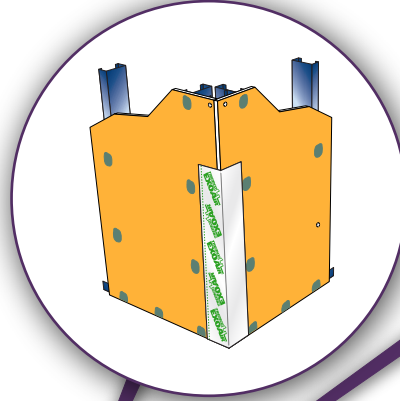
Rough Opening – Dymonic® 100



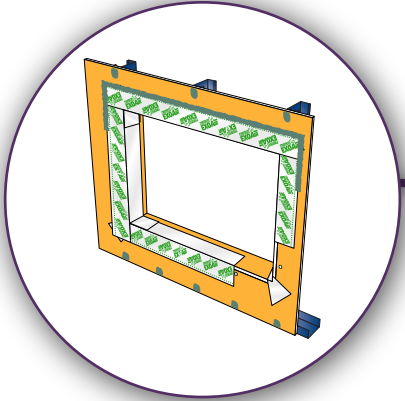
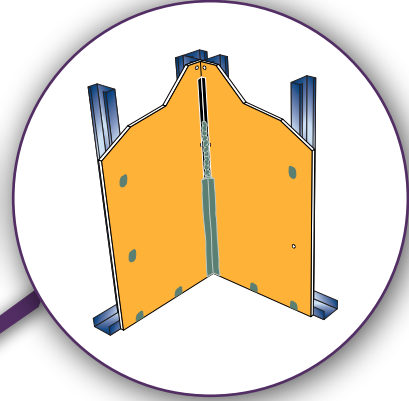
Outside Corner – Dymonic 100



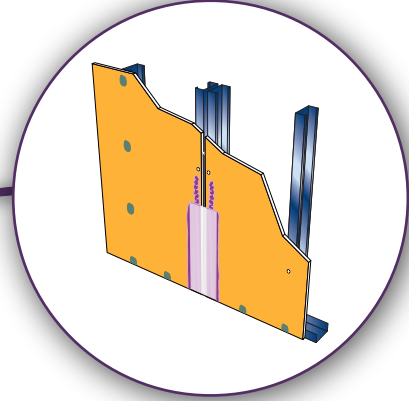
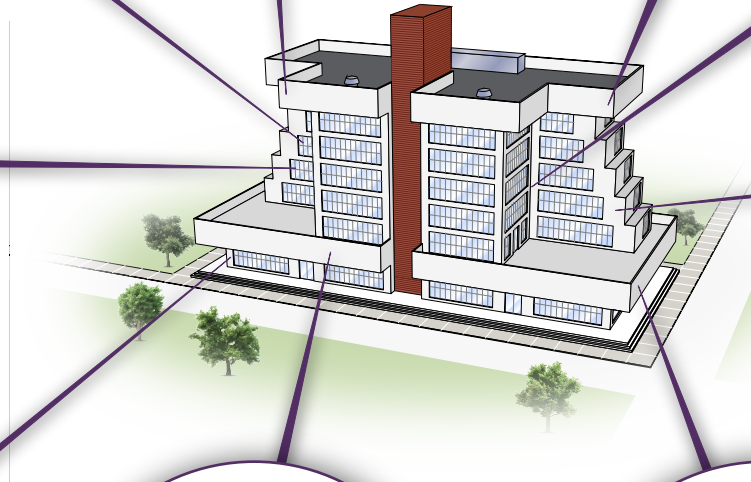
Outside Corner – ExoAir® 110AT



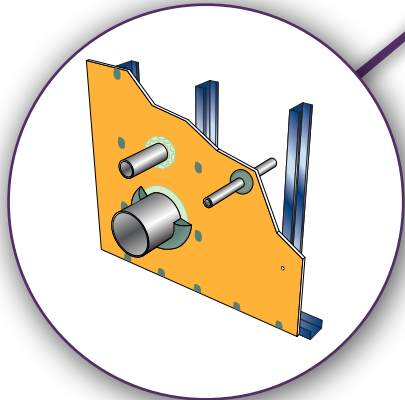
Inside Corner – Dymonic 100



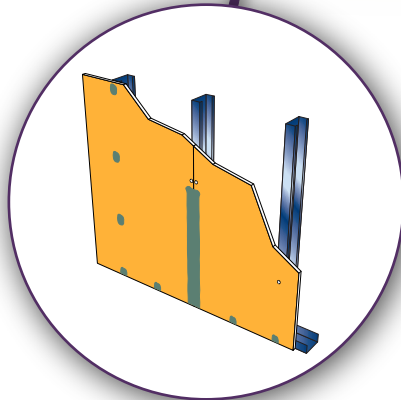
Rough Opening – ExoAir 110AT



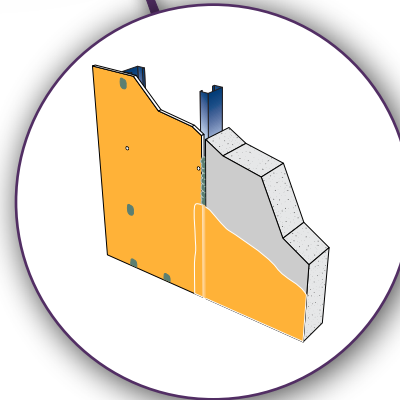
Expansion/Control Joint –
Proglaze® ETA Connections,
Spectrem® 1



Wall Penetration – Dymonic 100



Board Joint – Dymonic 100



Adjacent Substrates – ExoAir 230

USG  **TREMCO**
SECUROCK® EXOAIR® 430

Tremco®, ExoAir®, Dymonic®, Proglaze®, and Spectrem® are registered trademarks of Tremco Incorporated.

The trademarks USG®, SECUROCK®, the USG logo, and related marks are trademarks of USG Corporation or its affiliates.

Use of the ® symbol indicates registration with the US Patent & Trademark Office and the Canadian Intellectual Property Office.

0921/SE4300V