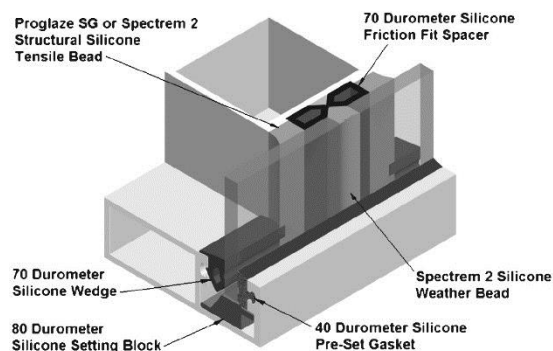


Product Description

Tremco Silicone Dense Rubber Extrusions are extruded and fabricated into gaskets and accessories (such as setting blocks, spacers and shims) for use in sealing and glazing applications in building construction. Custom color matching is available.

Basic Uses

Tremco Silicone Dense Rubber Extrusions are manufactured to work with existing metal designs or custom developed with custom metal systems at the design development stage. Many profiles are available depending upon existing metal requirements.



Availability

Tremco Silicone Dense Rubber Extrusions are generally custom manufactured but many standard designs are available. Their availability and cost may be obtained from your local Tremco Sales Representative, or by contacting Tremco's Customer Service Department in Ashland, Ohio, at 800-321-6357 or in Canada at 800-363-3213.

Packaging

Tremco Silicone Dense Rubber Extrusions are packaged based on customer requirements, profile size, configuration and other needs as specified by the customer.

Warranty

Tremco warrants its Products to be free of defects in materials, but makes no warranty as to appearance or color. Since methods of application and on-site conditions are beyond our control and can affect performance, Tremco makes no other warranty, expressed or implied including warranties of MERCHANTABILITY and FITNESS FOR A PARTICULAR PURPOSE with respect to Tremco Products. Tremco's sole obligation shall be, at its option, to replace or refund the purchase price of the quantity of Tremco Products proven to be defective, and Tremco shall not be liable for any loss or damage.

Please refer to our website at www.tremcosealants.com for the most up-to-date Product Data Sheets.

NOTE: All Tremco Safety Data Sheets (SDS) are in alignment with the Globally Harmonized System of Classification and Labelling of Chemicals (GHS) requirements.

TYPICAL PHYSICAL PROPERTIES

PROPERTY	TEST METHOD	40 DUROMETER	60 DUROMETER	70 DUROMETER	80 DUROMETER
Shore "A" Hardness	ASTM D2240	43	65	70	80
Compression Set, 22 hr @ 212 °F (100 °C), Ozone Resistance, 100 mPa	ASTM D395	13.8%	12.5%	11%	12.9%
Ozone Resistance, 100 mPa 100 hr @ 104 °F (40 °C) 20% Elongation	ASTM D1149	No Cracks	No Cracks	No Cracks	No Cracks
Tensile Strength	ASTM D412	1060 psi (7.3 MPa)	1139 psi (7.8 MPa)	1075 psi (7.4 MPa)	1095 psi (7.6 MPa)
Elongation @ Rupture	ASTM D412	323%	235%	167%	113%
Tear Strength	ASTM D624	120 lb/in (21.0 kN/M)	107 lb/in (18.7 kN/M)	121 lb/in (21.2 kN/M)	92 lb/in (16.1 kN/M)
Brittleness Temperature @ -40°F (-40°C)	ASTM D746	Pass	Pass	Pass	Pass

0317/SGSKTDS-GL

Tremco Commercial Sealants & Waterproofing

3735 Green Rd
Beachwood OH 44122
216.292.5000 / 800.321.7906

1451 Jacobson Ave
Ashland OH 44805
419.289.2050 / 800.321.6357

220 Wicksteed Ave
Toronto ON M4H1G7
416.421.3300 / 800.363.3213

1445 Rue de Coulomb
Boucherville QC J4B 7L8
514.521.9555

